

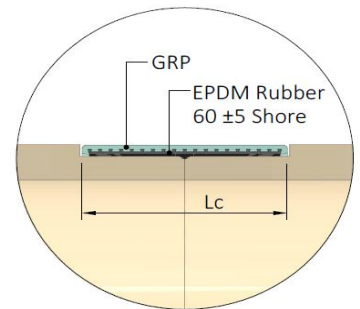
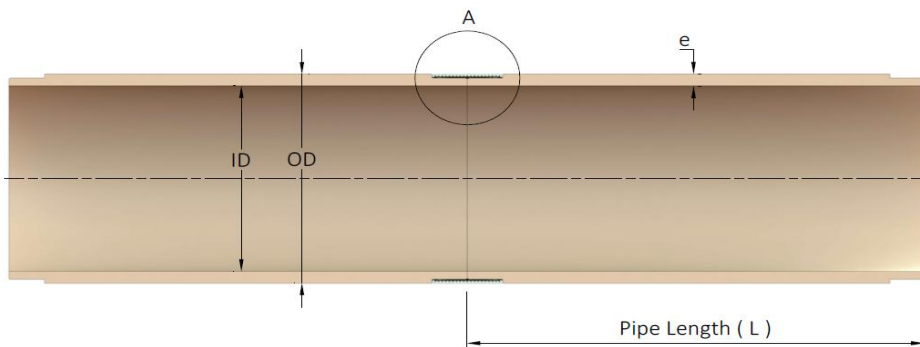
GRP JACKING DATASHEET

CENTRIFUGAL CASTING (CC)
GLASS REINFORCED POLYESTER (GRP) ISO 25780
JOINT TYPE : FULLFACE GRP JACKING COUPLING



GRP JACKING PIPE TABLE : LOAD 50 – 200 TONS

JACKING LOAD Gj (tons)	OD (mm)	ID (mm)	e (mm)	SN (N/m ²)
50	427	370,1	28,5	262.416
	530	480,7	24,6	82.270
	616	570,8	22,6	39.514
	718	676,3	20,8	17.189
100	530	451,8	39,1	355.537
	616	546,7	34,7	156.204
	718	656,1	31,0	66.979
	820	761,6	29,2	38.284
	924	867,4	28,3	24.376
150	718	635,2	41,4	166.980
	820	743,6	38,2	83.656
	924	851,7	36,1	51.483
	1.026	958,7	33,7	31.387
	1.229	1.168,9	30,1	13.899
200	820	725,3	47,4	167.212
	924	835,7	44,1	95.309
	1.026	944,5	40,8	55.793
	1.229	1.157,3	35,9	23.843
	1.434	1.369,1	32,4	11.016



Detail A
Lc = 148 mm (OD: 427 – 1434 mm)

Design Assumptions:
*The nominal pressure classes are PN1 and PN6 for jacking pipes and couplings.
*The pipe lengths are 1,8 – 2,8 m.
*Factor of Safety (f for jacking load) = 3,5
*Ultimate compressive strength ≥ 90 N/m²
*Pipe thickness, weights and jacking load values are roughly calculated. All values derive from calculations and may therefore slightly vary from the finished product due to manufacturing tolerances.
*The manufacturer SUPERLIT has rights to change the technical data without notice.

Document Number: TD-CTP26		Date: 23.04.2020
Issued By Design and R&D Department	Approval Technology and Product Development	Rev. 00

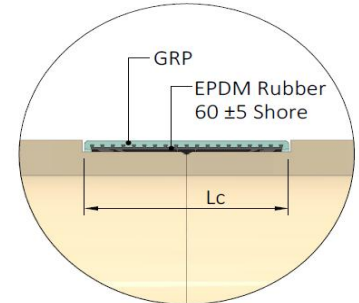
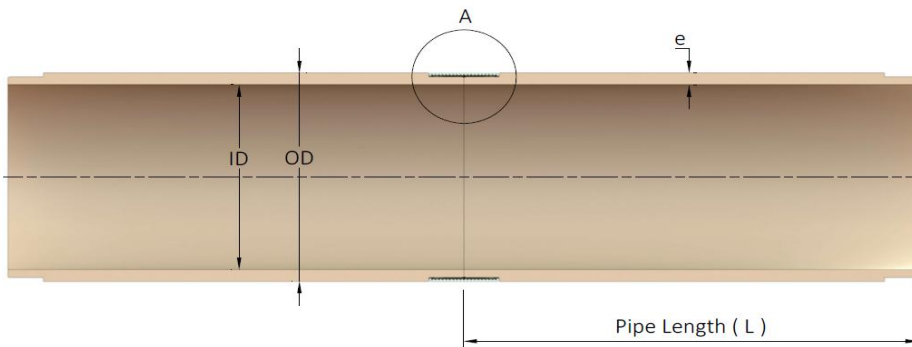
GRP JACKING DATASHEET

CENTRIFUGAL CASTING (CC)
GLASS REINFORCED POLYESTER (GRP) ISO 25780
JOINT TYPE : FULLFACE GRP JACKING COUPLING



GRP JACKING PIPE TABLE : LOAD 250 – 400 TONS

JACKING LOAD Gj (tons)	OD (mm)	ID (mm)	e (mm)	SN (N/m ²)
250	924	819,4	52,3	159.850
	1.026	930,1	48,0	90.977
	1.229	1.145,5	41,7	37.162
	1.434	1.359,2	37,4	17.069
300	1.026	915,5	55,3	139.364
	1.229	1.133,7	47,6	54.511
	1.434	1.349,3	42,4	24.777
	1.434	1.329,1	52,4	45.855



Detail A
Lc = 148 mm (OD: 427 – 1434 mm)

Design Assumptions:
 *The nominal pressure classes are PN1 and PN6 for jacking pipes and couplings.
 *The pipe lengths are 1,8 – 2,8 m.
 *Factor of Safety (for jacking load) = 3,5
 *Ultimate compressive strength ≥ 90 N/m²
 *Pipe thickness, weights and jacking load values are roughly calculated. All values derive from calculations and may therefore slightly vary from the finished product due to manufacturing tolerances.
 *The manufacturer SUPERLIT has rights to change the technical data without notice.

Document Number: TD-CTP26		Date: 23.04.2020
Issued By: Design and R&D Department	Approval: Technology and Product Development	Rev. 00