

GRP JACKING DATASHEET

CENTRIFUGAL CASTING (CC)

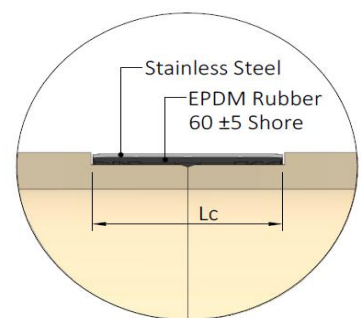
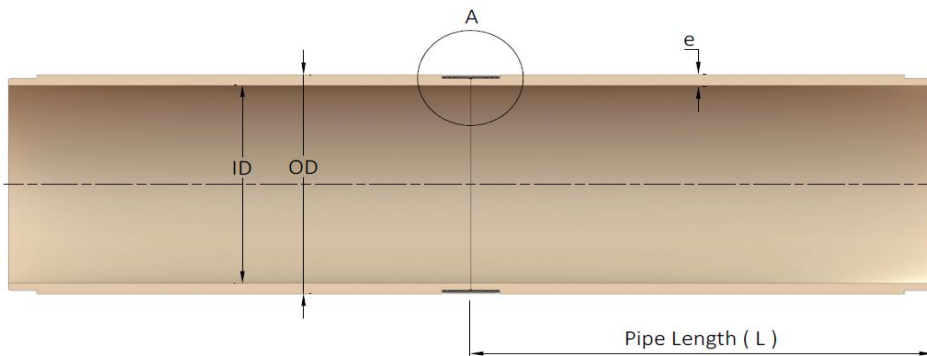
GLASS REINFORCED POLYESTER (GRP) ISO 25780

JOINT TYPE : FULLFACE STAINLESS STEEL JACKING COUPLING



GRP JACKING PIPE TABLE : LOAD 50 – 200 TONS

JACKING LOAD Gj (tons)	OD (mm)	ID (mm)	e (mm)	SN (N/m ²)
50	427	381,0	23,0	132.958
	530	490,4	19,8	41.449
	616	580,0	18,0	19.551
	718	683,0	17,5	11.045
100	530	465,0	32,5	195.884
	616	558,8	28,6	85.094
	718	665,0	26,5	41.201
	820	771,8	24,1	21.060
	924	877,4	23,3	13.400
150	530	438,2	45,9	568.799
	616	536,6	39,7	228.070
	718	646,6	35,7	104.346
	820	755,8	32,1	49.975
	924	863,4	30,3	29.765
	1.026	969,8	28,1	17.947
	1.229	1.179,2	24,9	7.794
200	616	513,4	51,3	493.408
	718	627,6	45,2	212.037
	820	739,6	40,2	99.380
	924	849,2	37,4	56.705
	1.026	957,2	34,4	32.908
	1.229	1.168,8	30,1	13.890
	1.434	1.379,8	27,1	6.353



Lc = 120 mm (OD: 427 – 820 mm)
Lc = 140 mm (OD: 924 – 1434 mm)

Design Assumptions:

- *The nominal pressure classes are PN1, PN6 and PN10 for jacking pipes and couplings.
- *Stainless steel jacking coupling is grade 304. (SS - 316 is available upon request.)
- *The pipe lengths are 1,8 – 2,8 m.
- *Factor of Safety (for jacking load) = 3,5
- *Ultimate compressive strength ≥ 90 N/m²
- *Pipe thickness, weights and jacking load values are roughly calculated. All values derive from calculations and may therefore slightly vary from the finished product due to manufacturing tolerances.
- *The manufacturer SUPERLIT has rights to change the technical data without notice.

Document Number:		SJAP_01	Date:	23.04.2020
Issued By	Approval		Rev. 03	
Design and R&D Department	Technology and Product Development			

GRP JACKING DATASHEET

CENTRIFUGAL CASTING (CC)

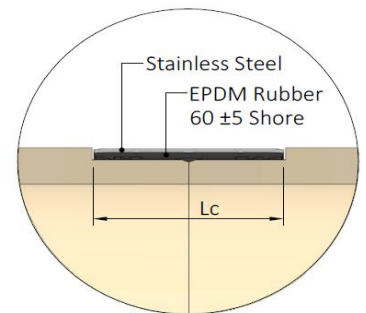
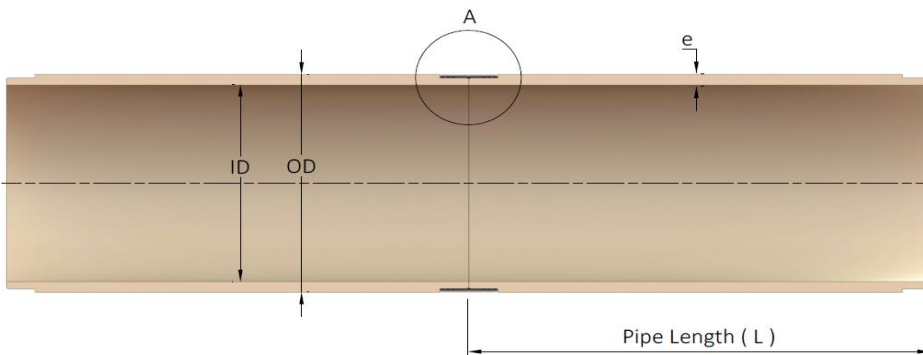
GLASS REINFORCED POLYESTER (GRP) ISO 25780

JOINT TYPE : FULLFACE STAINLESS STEEL JACKING COUPLING



GRP JACKING PIPE TABLE : LOAD 250 – 500 TONS

JACKING LOAD Gj (tons)	OD (mm)	ID (mm)	e (mm)	SN (N/m ²)
250	718	607,8	55,1	378.021
	820	723,0	48,5	174.646
	924	834,8	44,6	96.657
	1.026	944,4	40,8	54.821
	1.229	1.158,4	35,3	22.140
1.434	1.371,0	31,5	10.087	
300	820	706,2	56,9	286.770
	924	820,2	51,9	151.754
	1.026	931,4	47,3	85.260
	1.229	1.147,8	40,6	33.132
	1.434	1.362,2	35,9	14.873
400	1.229	1.126,6	51,2	74.745
	1.434	1.344,2	44,9	28.323
500	1.434	1.326,0	54,0	47.981



Detail A

Lc = 120 mm (OD: 427 – 820 mm)
Lc = 140 mm (OD: 924 – 1434 mm)

Design Assumptions:
 *The nominal pressure classes are PN1, PN6 and PN10 for jacking pipes and couplings.
 *Stainless steel jacking coupling is grade 304. (SS - 316 is available upon request.)
 *The pipe lengths are 1,8 – 2,8 m.
 *Factor of Safety (for jacking load) = 3,5
 *Ultimate compressive strength ≥ 90 N/m²
 *Pipe thickness, weights and jacking load values are roughly calculated. All values derive from calculations and may therefore slightly vary from the finished product due to manufacturing tolerances.
 *The manufacturer SUPERLIT has rights to change the technical data without notice.

Document Number:		SJAP_01	Date:	23.04.2020
Issued By	Approval	Rev. 03		
Design and R&D Department	Technology and Product Development			