

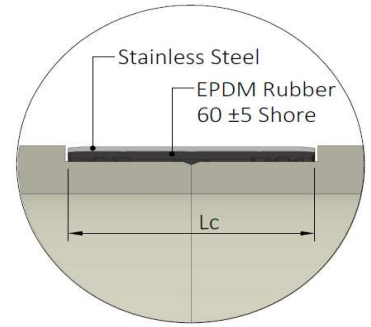
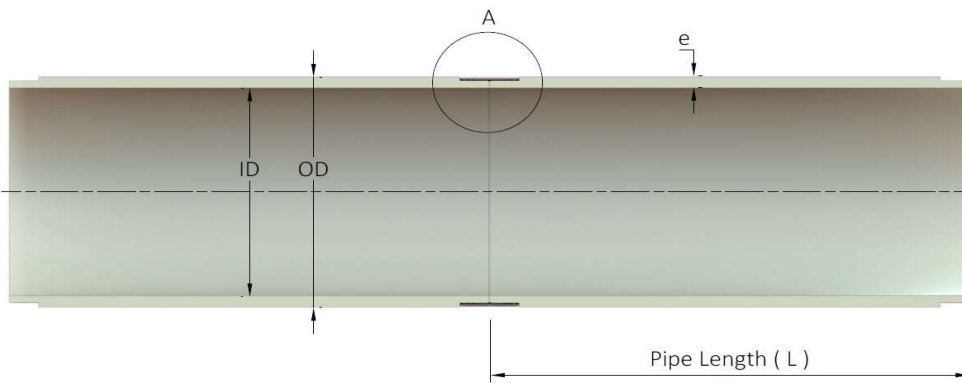
GRP JACKING DATASHEET

HELICAL FILAMENT WINDING (HW)
GLASS REINFORCED POLYESTER (GRP) ISO 25780
JOINT TYPE : FULLFACE STAINLESS STEEL JACKING COUPLING



GRP JACKING PIPE TABLE : SN 120 000 – 1 000 000

OD (mm)	120 000				200 000				320 000				640 000				1 000 000			
	ID	e	Mass	F max	ID	e	Mass	F max	ID	e	Mass	F max	ID	e	Mass	F max	ID	e	Mass	F max
	mm	mm	kg / m	kN	mm	mm	kg / m	kN	mm	mm	kg / m	kN	mm	mm	kg / m	kN	mm	mm	kg / m	kN
272	242,0	15,0	22	111	236,0	18,0	26	160	232,0	20,0	29	192	212,0	30,0	41	345	192,0	40,0	52	483
324	288,0	18,0	31	194	280,0	22,0	38	272	272,0	26,0	44	348	252,0	36,0	59	528	242,0	41,0	66	620



Lc = 120 mm

Design Assumptions:
 *The nominal pressure classes are PN1 – PN6 and PN10 for jacking pipes and couplings.
 *Stainless steel jacking coupling is grade 304. (SS - 316 is available upon request.)
 *The pipe lengths are 2 , 3 or 6 m. Custom lengths are available.
 *Factor of Safety (for jacking load) = 3,5
 *Ultimate compressive strength $\geq 85 \text{ N/m}^2$
 *Pipe thickness, weights and jacking load values are roughly calculated. All values derive from calculations and may therefore slightly vary from the finished product due to manufacturing tolerances.
 *The manufacturer SUPERLIT has rights to change the technical data without notice.

Document Number: TD CTP 33		Date : 28.01.2021
Issued By Design and R&D Department	Approval Technology and Product Development	Rev. 00